

# GPS ANTENNA (L1 only)

## Applications

- Tactical Missiles
- UAVs
- Aircrafts
  - Navigation/positioning applications



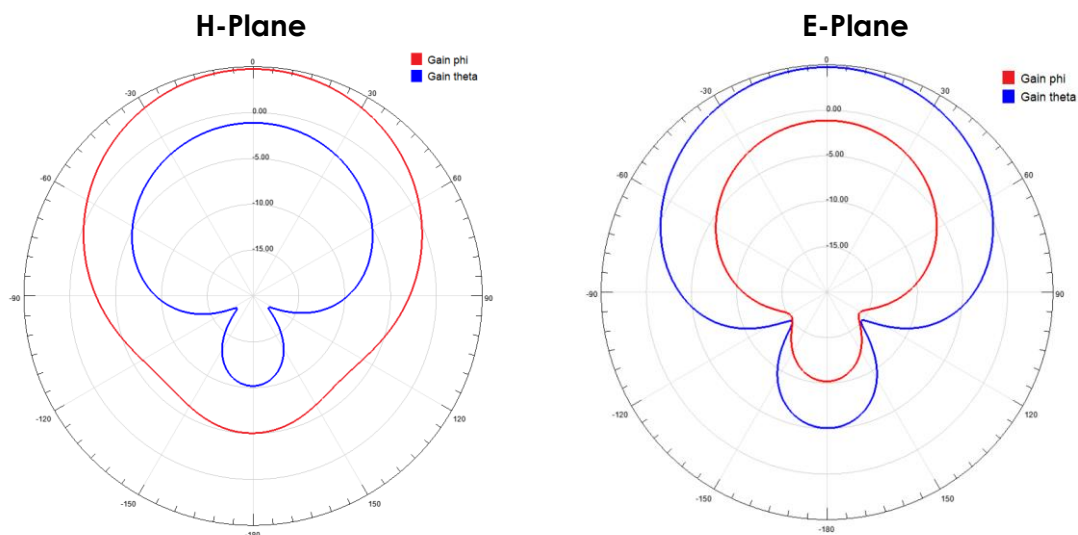
## Features

- Curved radome structure for aerodynamic considerations
- Mechanical design for low air drag
- 50 ohm antenna interface (SMA)

## Electrical Specifications

Frequency	1.575 GHz (L1)
Bandwidth	16 MHz
Gain	4.5 dBi Nom
VSWR	< 1.5:1
Polarisation	RHCP (Right-Hand Circular Polarization)

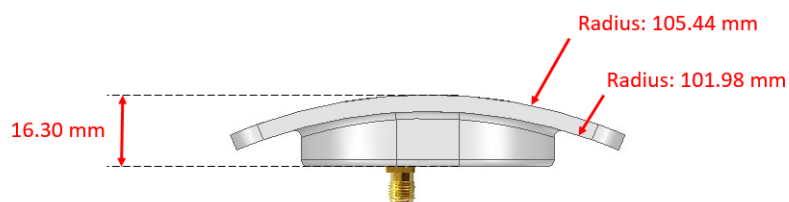
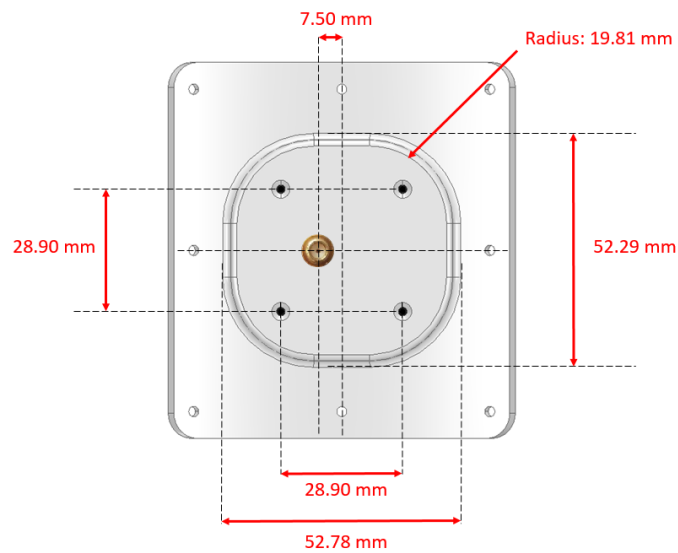
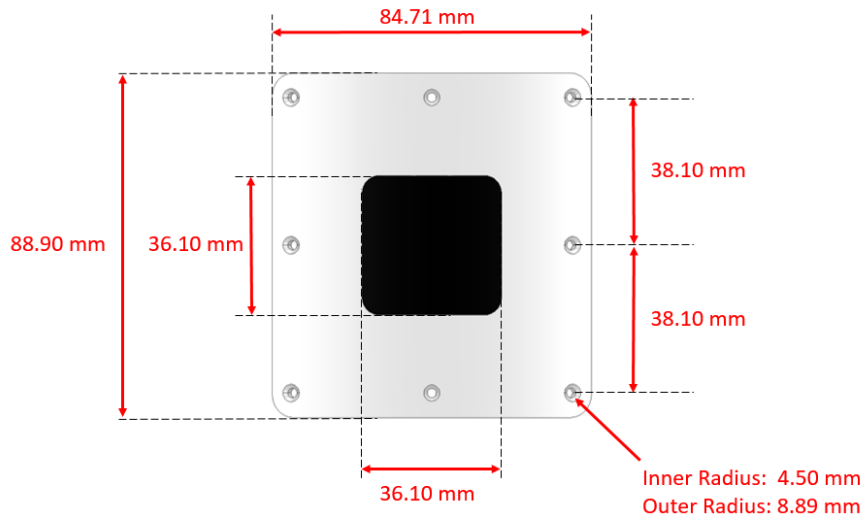
## Radiation Pattern



Units in dB

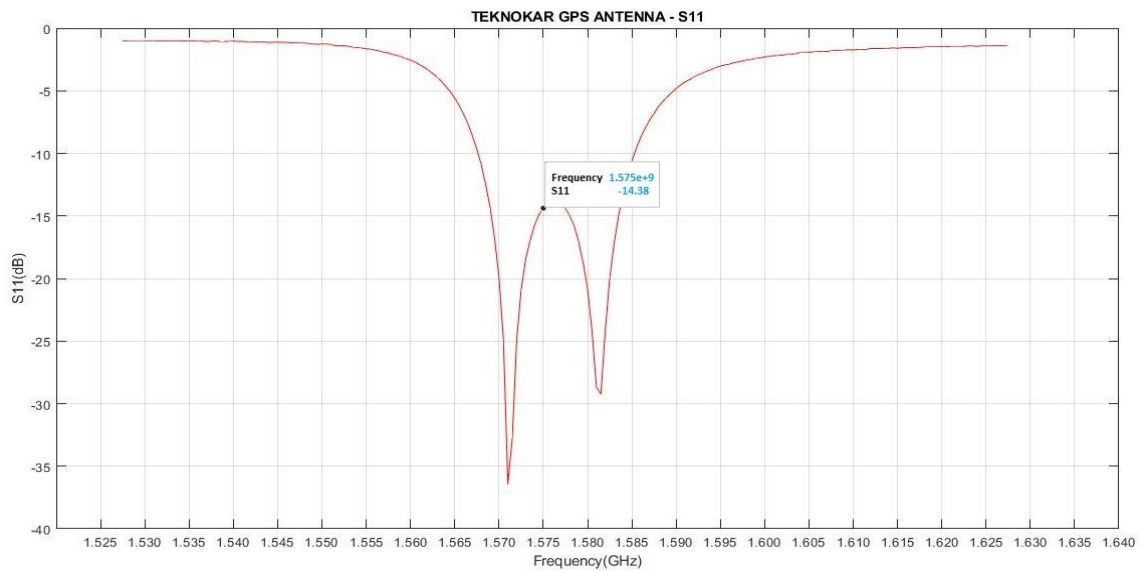
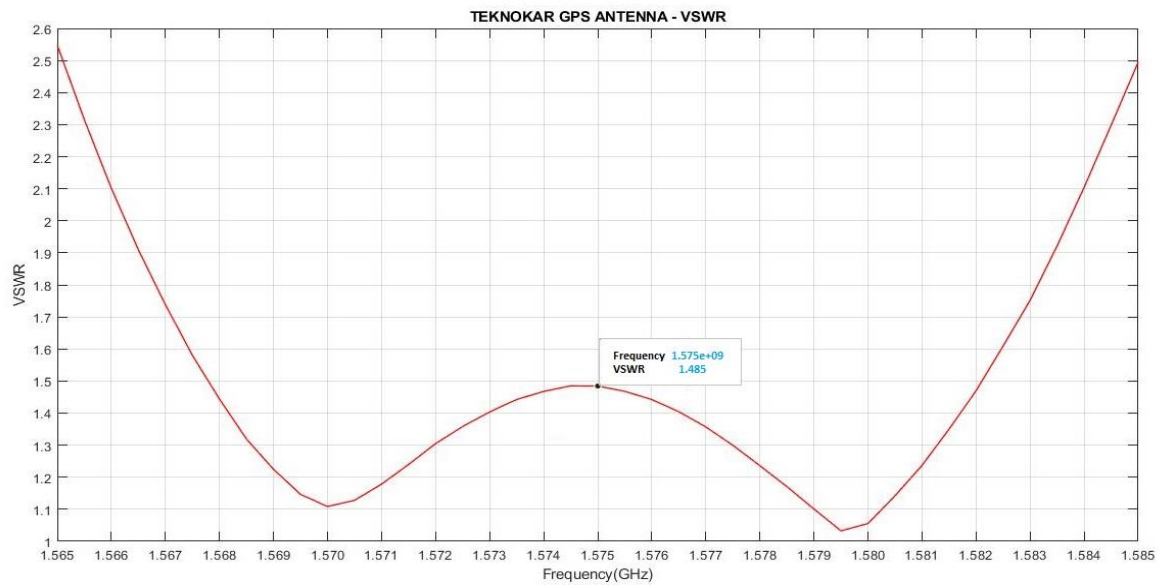
# Mechanical Specifications

Connector Type	SMA female
Mass	118 g



The information about antenna performance in this document is for guidance only. This information represents the values targeted by the designer for each individual product and in case of any possible deviations, Teknokrat does not accept responsibility.

## Performance



\* All data measured by KEYSIGHT N9918A – 26.5 GHz FieldFox analyzer.

### For further information please contact:

TEKNOKAR Defence and Aerospace Co.

Gersan Industrial Estate, 2308<sup>th</sup> Street, No: 9, Batikent, Ankara, TURKEY

**Tel:** +90 (312) 251 13 25

**Fax:** +90 (312) 250 96 63

[www.teknokar.com](http://www.teknokar.com)

*The information about antenna performance in this document is for guidance only. This information represents the values targeted by the designer for each individual product and in case of any possible deviations, Teknokar does not accept responsibility.*